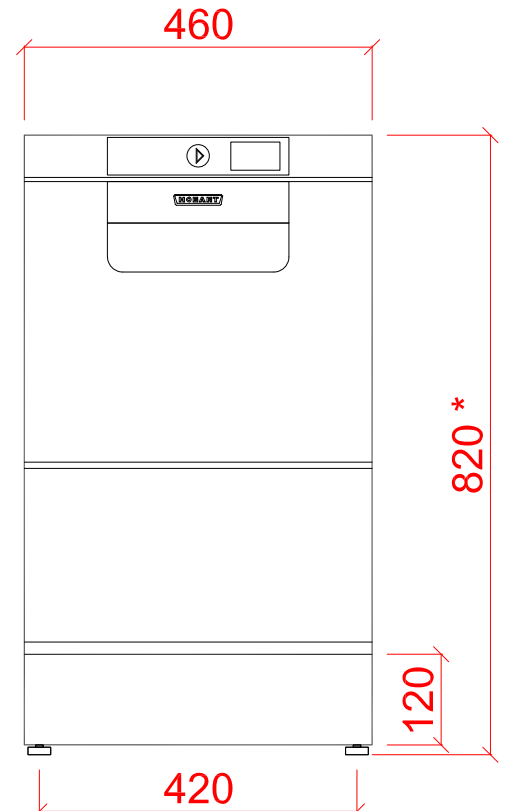
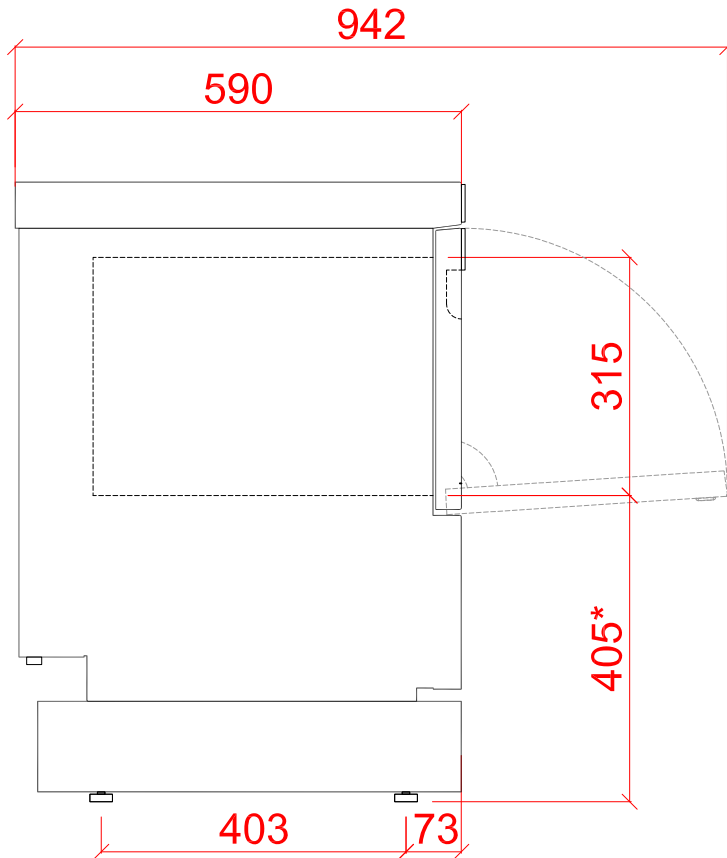
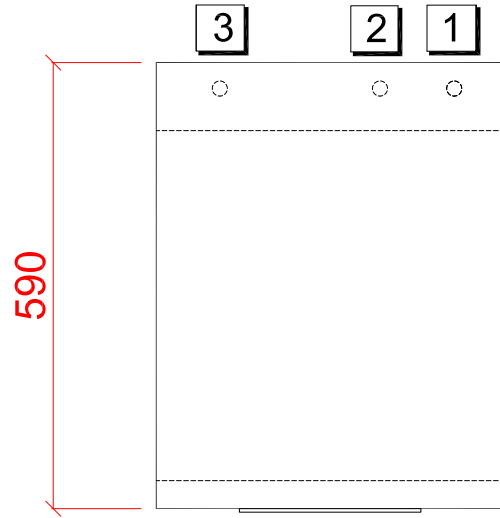


UNDERCOUNTER GLASSWASHERS
GC SERIES



Undercounter Glasswasher with Reverse Osmosis Unit

GCPROIW-10B



1 Water

22mm CONNECTION VIA 2 METRE FLEXIBLE HOSE, FEMALE TERMINATION.

WATER SUPPLY 55°C TO 60°C (0°- 3°CLARK MAX) @ 0.5 TO 10.0 BAR MAX. INITIAL TANK FILL 8 LITRES.

RINSE WATER USAGE 1.9 LITRES PER CYCLE. MAX USAGE 110 LITRES PER HOUR.

OUR MACHINES ARE SUPPLIED WITH CLASS 'AB' AIR GAP AS STANDARD

2 Drain

DRAIN - 1.75 METRE FLEXIBLE HOSE TO A 40mm TRAPPED STANDPIPE 600mm MAX A.F.F.L.

FLOW RATE 30 LITRES PER MINUTE.

Other Services

RINSE AGENT HOSE - 2.5 METRE FLEXIBLE. DETERGENT HOSE - 2.5 METRE FLEXIBLE.

3 Electric

4.8kW 400/50/3 FUSED AT 3 x 16amps MACHINE SUPPLIED WITH 2.0 METRES OF CABLE
CONFIGURABLE TO:
5.6kW 230/50/1 FUSED AT 25amps
ELECTRICS FOR ROI ARE THROUGH DISHWASHER.

Notes

APPROX WEIGHTS:
EMPTY: 50kg's WITH WATER: 64kg's
Height * +40mm -0mm

PLOT SCALE: 1:10

RIGHT TO MAKE NECESSARY CHANGES IS RESERVED