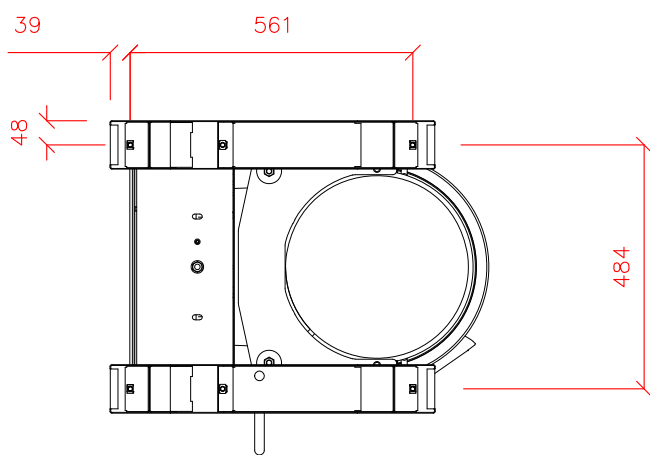


View on 'A'



View on 'B'



- | | |
|----------|--|
| 1 | Electric - (1 Phase Supply)
1.1kW - 230/50/1 Recommended to be fused at 20amps |
| 2 | Weight
Mixer weight including agitator and bowl (empty) - 204kg
Shipping weight (on wooden pallet) - 222kg |