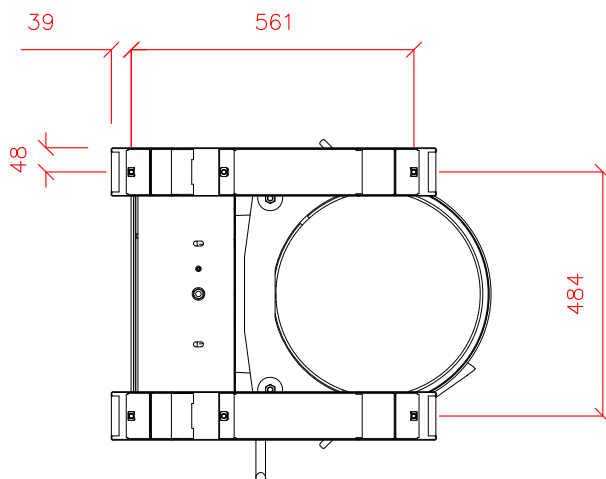


**View on 'A'**



**View on 'B'**



**1** Electric - (1 Phase Supply)

1.1kW - 230/50/1 Recommended to be fused at 20amps

**2** Weight

Mixer weight including agitator and bowl (empty) - 205kg  
Shipping weight (on wooden pallet). - 223kg