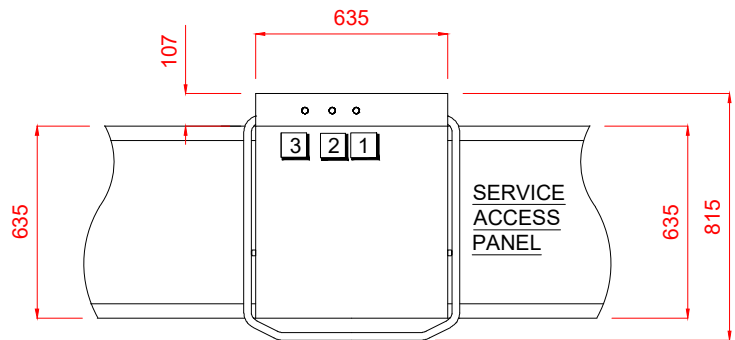
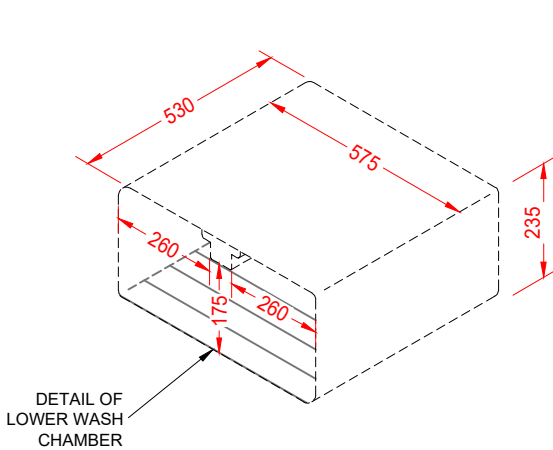
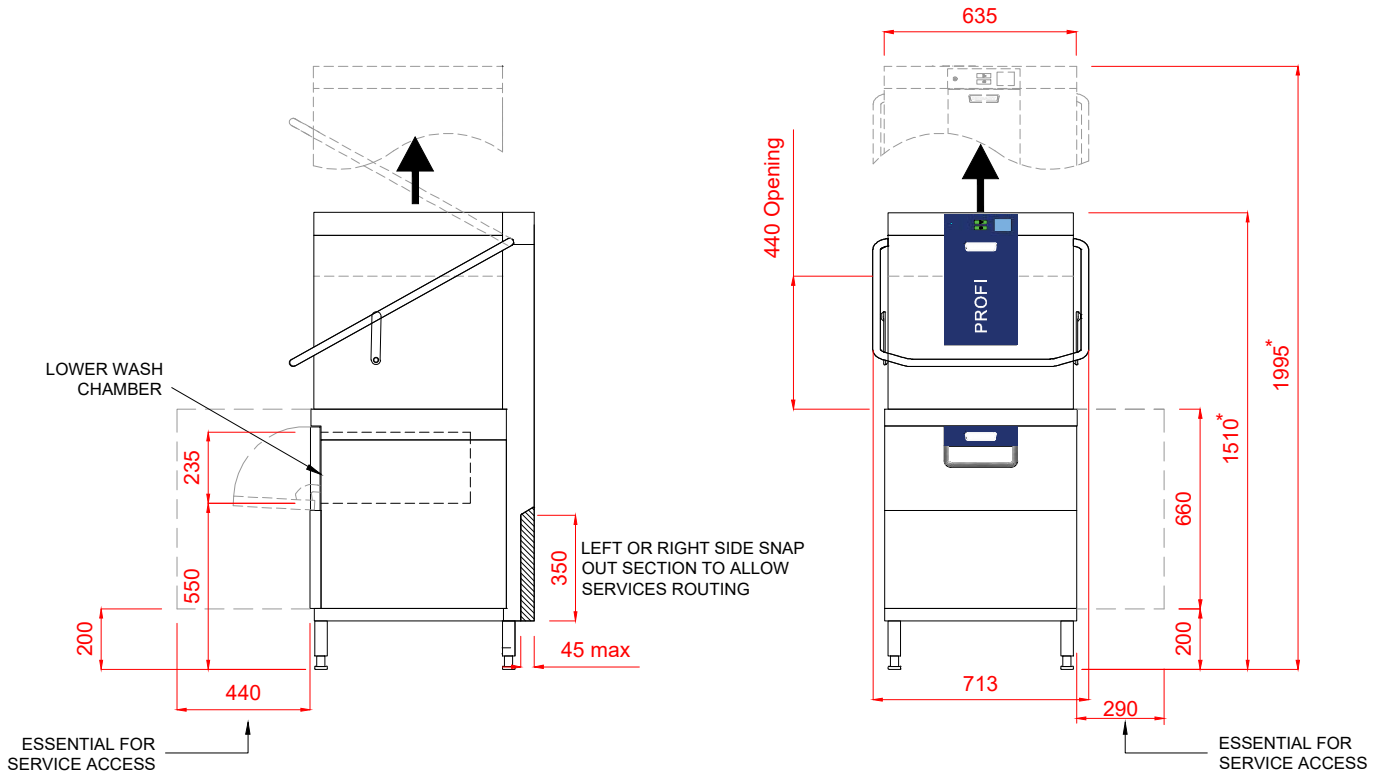


Two-Level Washers



Dual Hood Type Pass Through Dishwasher & Glasswasher

TLW-10A



1 Water	2 Drain	3 Electric
<p>22mm CONNECTION VIA 2.0 METRE FLEXIBLE HOSE, FEMALE TERMINATION.</p> <p>WATER SUPPLY 10°C TO 60°C (2° TO 8° CLARK MAX) @ 0.5 TO 10.0 BAR MAX. INITIAL TANK FILL 30 LITRES. USAGE MIN 5 LITRES PER WASH CYCLE. MAX CYCLES PER HOUR - 120</p> <p>OUR MACHINES ARE SUPPLIED WITH CLASS 'AB' AIR GAP AS STANDARD.</p>	<p>DRAIN - 2.0 METRE FLEXIBLE HOSE (50mm diam) TO A TRAPPED STANDPIPE 750mm MAX AFFL</p> <p>FLOW RATE 30 LITRES PER MINUTE. DRAIN RATE TYPICALLY 3 MINUTES.</p> <p>Other Services</p> <p>RINSE AGENT HOSE - 2.0 METRE FLEXIBLE. DETERGENT HOSE - 2.0 METRE FLEXIBLE.</p>	<p>13.6kW 400/50/3 + N + PE FUSED AT 25amps / PHASE.</p> <p>CONFIGURABLE TO:</p> <p>10.4kW 400/50/3 + N + PE FUSED AT 16amps / PHASE. MACHINE SUPPLIED WITH 2.5 METRES OF CABLE (3 PHASE).</p> <p>Notes</p> <p>* = ±25mm</p>

PLOT SCALE: 1:25

RIGHT TO MAKE NECESSARY CHANGES IS RESERVED