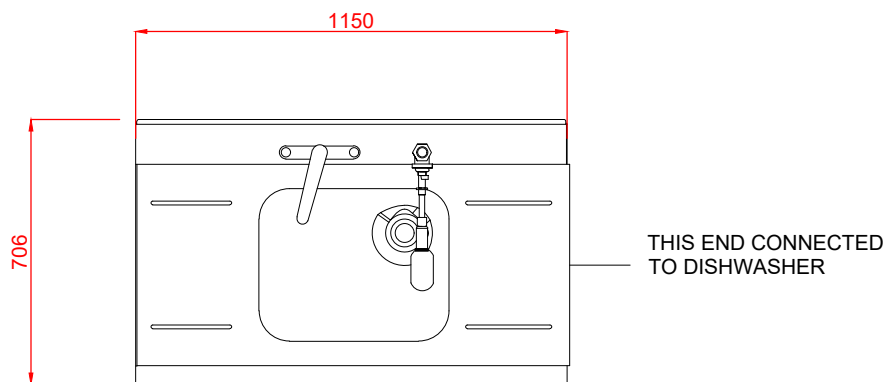
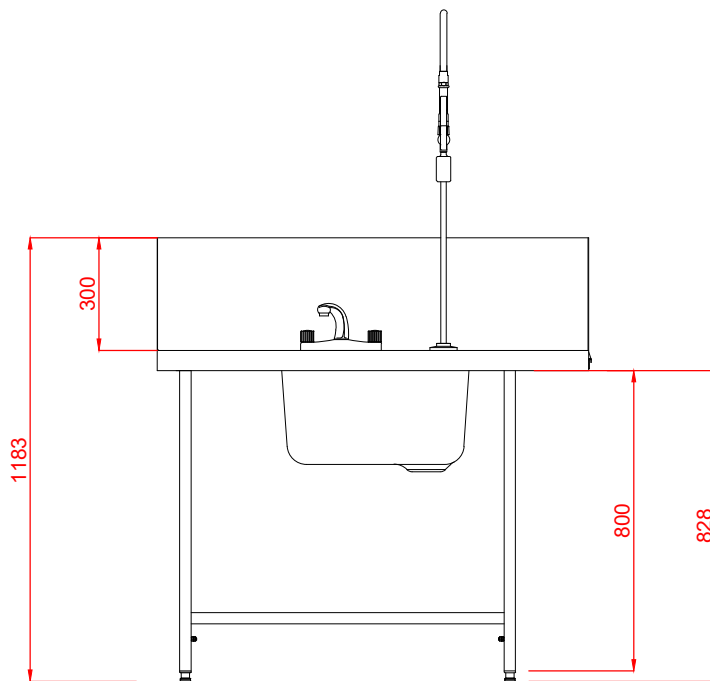
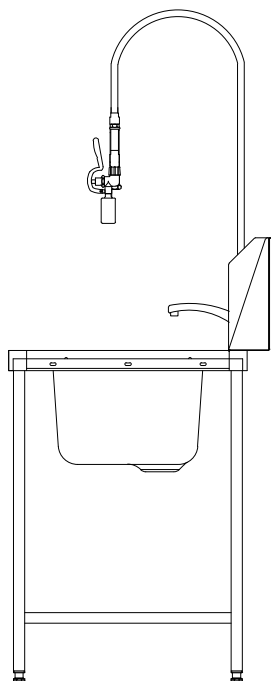




Inlet Tabling with Sink

SD1150L/R



NOTES:

INCLUDES:
 SINK BOWL WITH SEPARATE SPLASHBACK, FIXED UNDERSHELF, SQUARE TUBULAR LEG FRAME AND SWAGED TOP.
 DRILLED TO ACCOMMODATE HOBART 144604-105 PRE RINSE SPRAY UNIT WITH SEPARATE SWIVEL MIXER TAP.

PLOT SCALE: 1:20